

Infralite® & Infralite® DX in Cardiac Cath Labs



Features:

- Each fixture provides up to 11,250 footcandles at the table from a nine foot ceiling.
- Fixtures tilt up to 35° and rotate up to 360° and move independently for single or multiple site illumination.
- Fully recessed luminaires with smooth flare trim and lens do not interfere with equipment, track systems or practitioners and are easy to clean.
- Patented instantaneous and precise adjustment of light direction and intensity with infrared remote and wall control.
- Dichroic (cold mirrored) reflectors transmit 70% less heat, assuring patient and practitioner comfort.
- Accurate tissue color rendering from high output 100 CRI tungsten halogen lamps.

Miami Valley Hospital, Dayton, Ohio
Cardiac Catheterization Laboratory
Luminaires: RR01201
Lighting Design: Helmig Lienesch & Associates

Installation Profile:

Miami Valley Hospital - Cardiac Catheterization Laboratory - Dayton, Ohio

With a ceiling over nine feet and a moving surgical table and equipment tracks in the ceiling - Kirlin's Infralite® DX motorized examination and procedure lights are ideal. Each of the four fixtures provides 11,250 fcs at the table and are fully recessed in the ceiling to avoid the tracks. Each fixture moves independently by way of the wall or infrared remote controls to illuminate multiple surgical sites simultaneously.

→

THE KIRLIN COMPANY

3401 East Jefferson Avenue • Detroit, MI 48207-4232
313-259-6400 • FAX 313-259-3121 • info@kirlinlighting.com • www.kirlinlighting.com

Infralite® & Infralite® DX in Cardiac Cath Labs

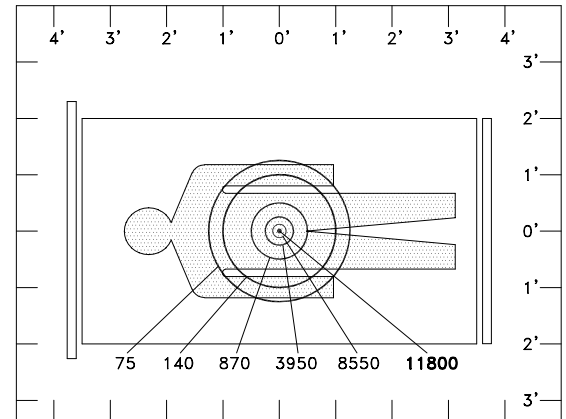
For more information, including specification sheets and photometry, on these and all other Kirlin products, please visit www.kirlinlighting.com or call your local Kirlin Sales Representative for catalogs.



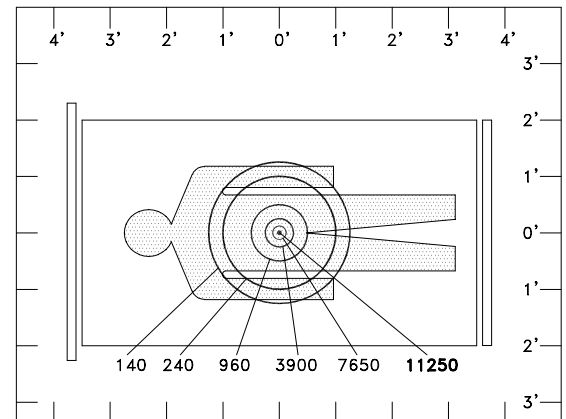
SPECIFICATIONS

- LAMP
Infralite® - designed for lower ceilings
150 watt 22 volt 100 CRI DCB T4 tungsten halogen
Infralite® DX - designed for higher ceilings
250 watt 22 volt 100 CRI DCB T4 tungsten halogen
- REFLECTOR
Cold mirrored dichroic reflector(s)
- MOTORS/MOVEMENT
Two 12 volt motors
Tilt up to 35° and rotate up to 360°
- CONTROLS
Full function wall control with low voltage cable
Full function infrared remote control
- TRIM
Fully recessed
12" aperture, smooth trim, clear lens
- HOUSING
12" deep
Completely serviced through aperture

PERFORMANCE



Infralite® - RR01203 in 8' ceiling



Infralite® DX - RR01201 in 9' ceiling

THE KIRLIN COMPANY

3401 East Jefferson Avenue • Detroit, MI 48207-4232
313-259-6400 • FAX 313-259-3121 • info@kirlinlighting.com • www.kirlinlighting.com